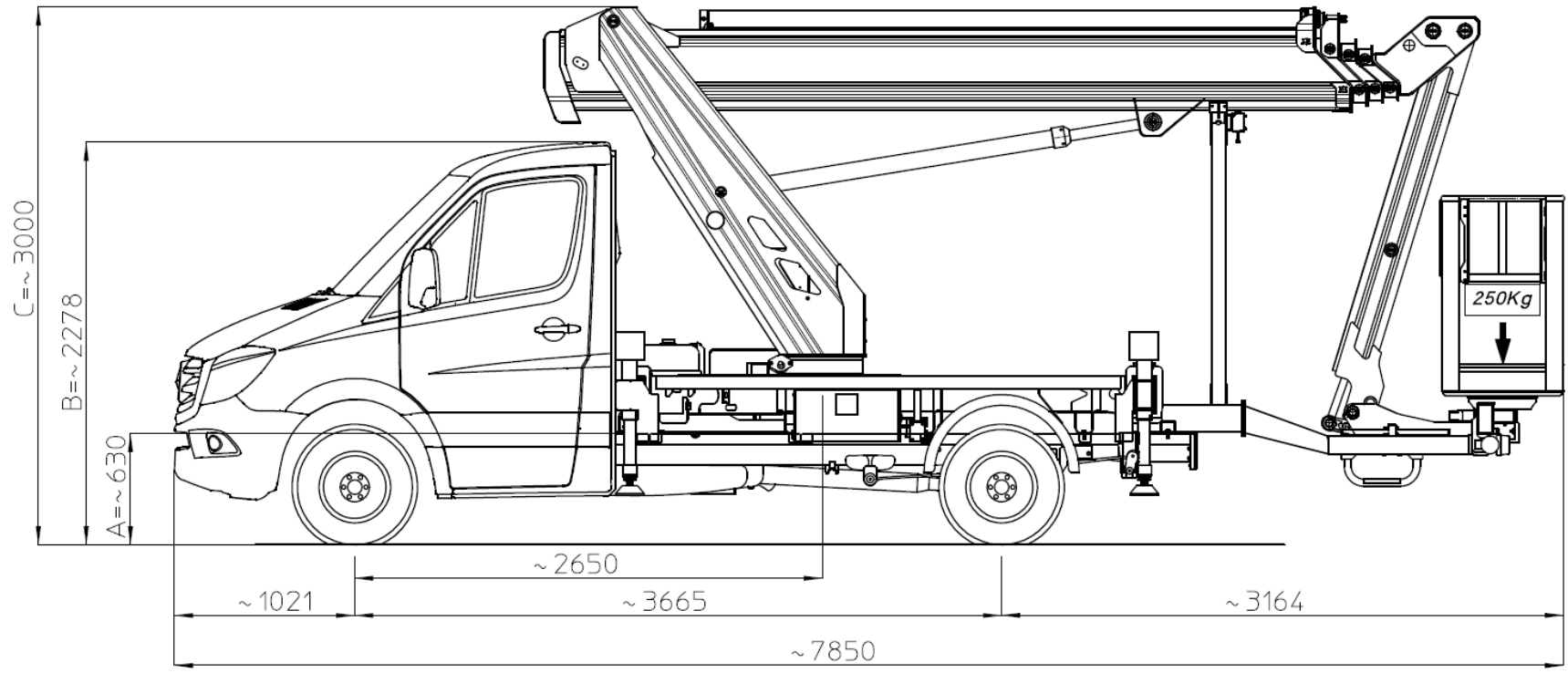


MJE 250

- Wheelbase 3665 mm;
- Total length 7850 mm;
- Total height 3000 mm;
- Rear Overhang 3164 mm (86% wheelbase);



Mercedes-Benz
Sprinter

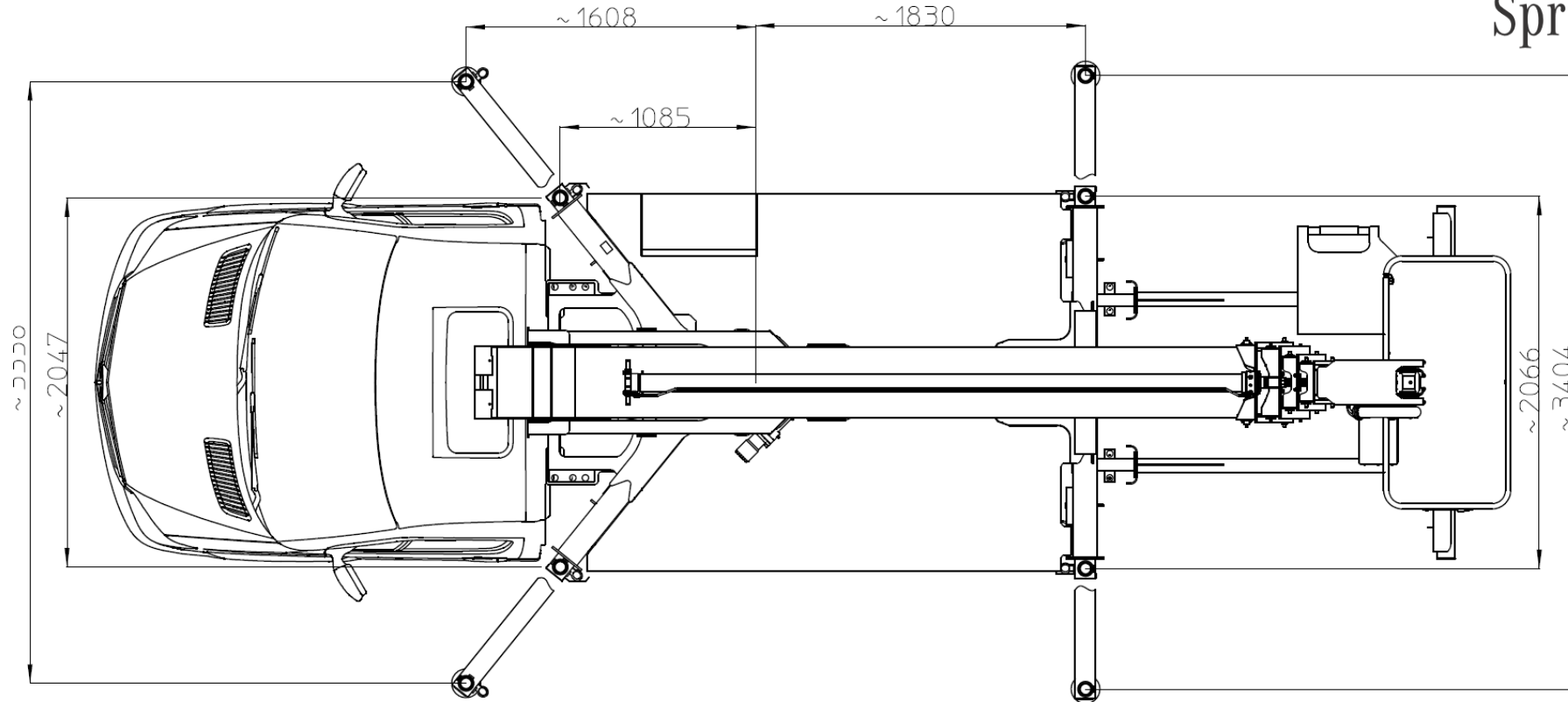


3,5 t

MJE 250

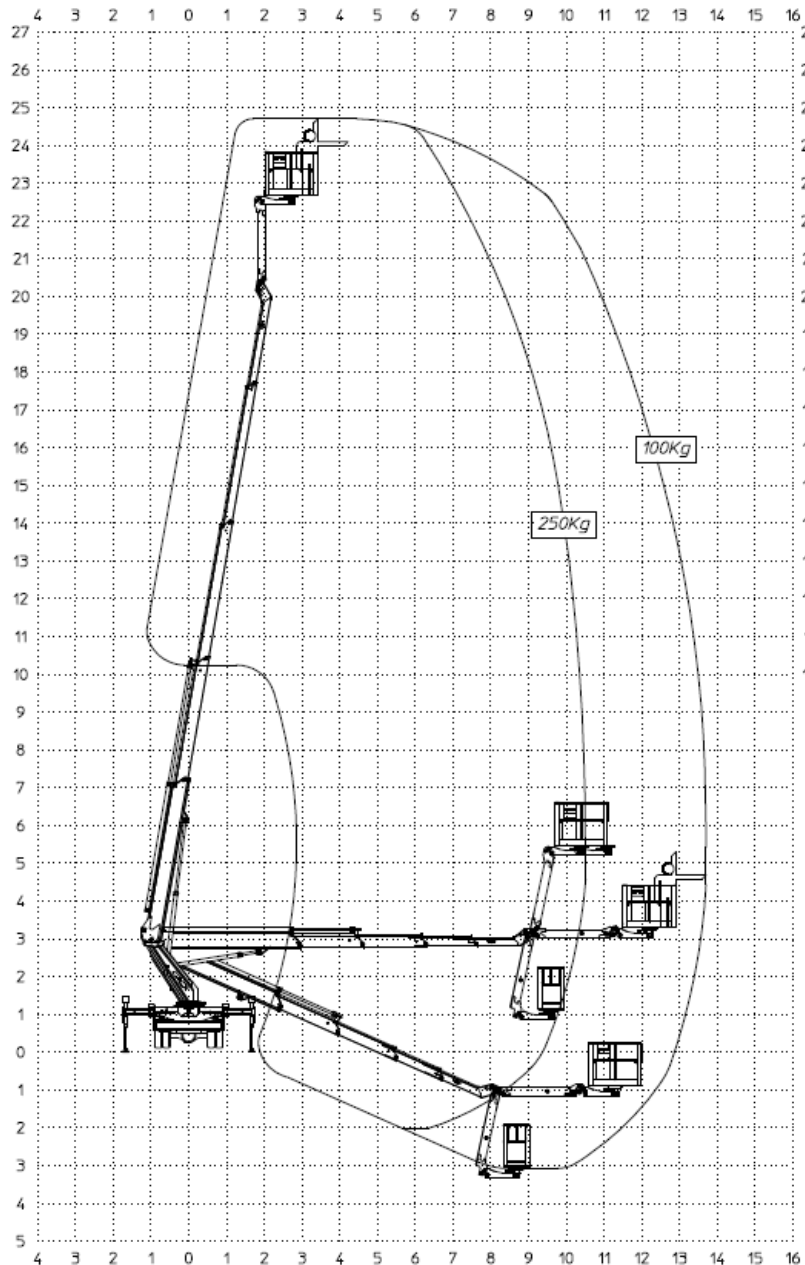


Mercedes-Benz
Sprinter



MULTITEL
SINCE 1911

MJE 250



Mercedes-Benz
Sprinter

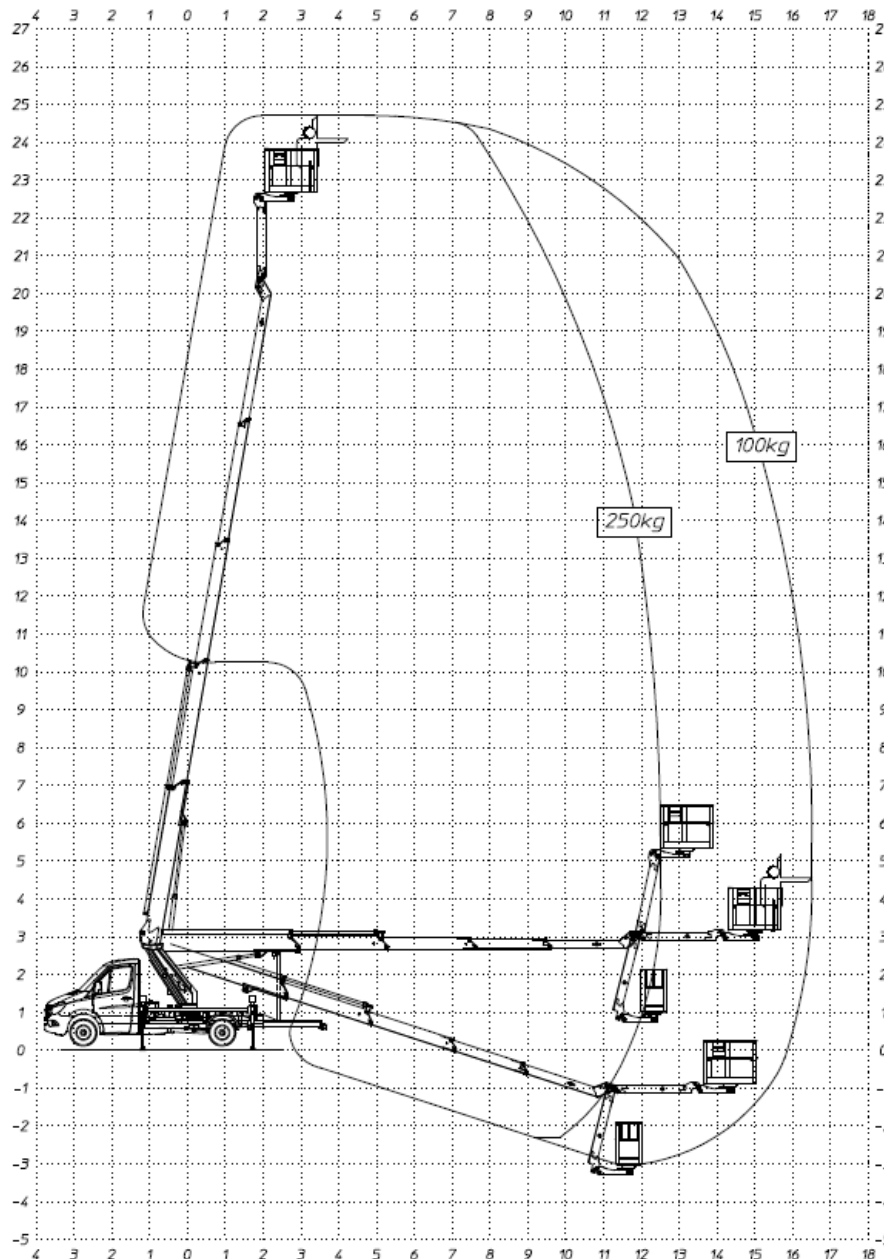
**LATERAL WORK AREA
With Extended Stabilizers**

MAXIMUM WORKING OUTREACH:

250 Kg 10,6 m

80 Kg 14,5 m

MJE 250



Mercedes-Benz
Sprinter

REAR WORK AREA

MAXIMUM WORKING OUTREACH:

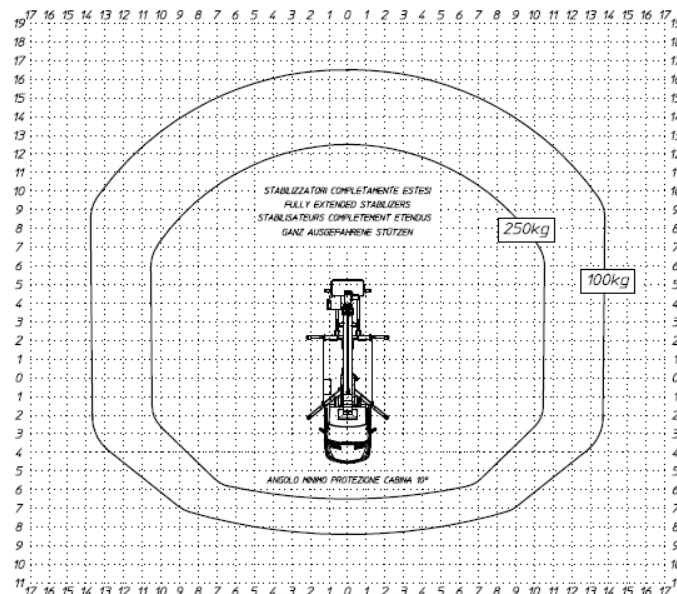
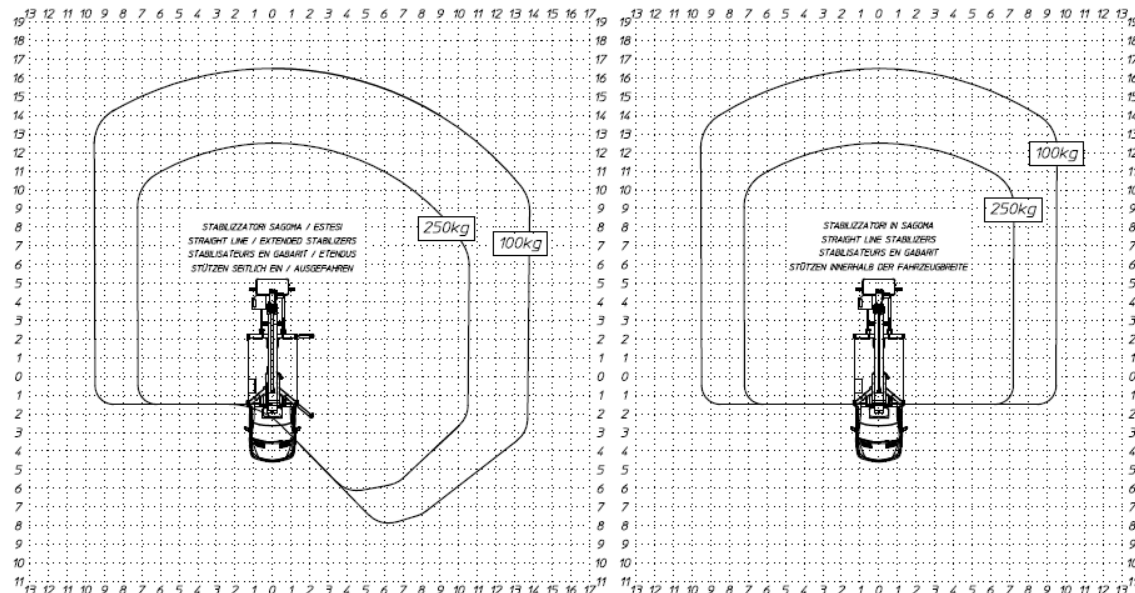
250 Kg

12,5 m

80 Kg

17,2 m

MJE 250



Mercedes-Benz
Sprinter